

Installation and maintenance instructions

Flue gas heat exchanger WT50/60



Buderus



This equipment complies with all relevant guidelines and standards.

Its conformity has been verified. All associated documents and the declaration of conformity are available from the manufacturer.

Combining a flue gas heat exchanger WT and a boiler with gas-fired burner tested to EN 303-3 or pr EN 303-7 and CE certified, meets the basic requirements of the gas appliance directive 90/396/EC. Copies of the relevant documentation are available upon request.

About this manual

This installation and maintenance manual contains important information regarding the safe and proper installation, start-up and maintenance of the flue gas heat exchanger WT50/60.

This installation and maintenance manual is designed for specialists, who, due to their technical training and experience, are accustomed to working with heating systems and oil/gas installations.

1	Regulations/Guidelines	4
2	Scope of supply	5
3	Specifications, dimensions, connections	6
4	Positioning	9
5	Installation	10
5.1	Rotating the flue gas header	10
5.2	Flue gas connection	11
5.3	Installing	12
5.4	Fitting the casing	12
5.5	Connecting neutralisation (e.g. NE 1.1)	18
6	Commissioning	19
7	Maintenance	20
7.1	Checklist – condensing unit with neutralisation	22

1 Regulations/Guidelines

The combination of flue gas heat exchanger WT50/60 and boiler conforms in design and operation to the requirements of BS EN 303.

- During installation and operation of the system, standard engineering practices and the provisions of the buildings inspectorate and any legislative requirements must be observed.

A list of the corresponding standards, regulations and guidelines are available in the accompanying "Installation instructions for heating engineers".

Please pay particular attention to:

- the guidelines for boiler water treatment
- the worksheet : "Condensate from condensing boilers"
- the data sheet "Water treatment...."



RISK TO LIFE

through the explosion of volatile gases.

- WARNING!**
- Ensure that only approved specialists carry out the installation, the gas, oil and flue gas connections, the commissioning, the power connection, maintenance and repair work is only carried out by a registered heating installer.
 - Ensure that work on parts of the gas installation are only carried out by a registered gas installer.

The flue gas heat exchanger can be fitted in new or existing heating systems.

By combining a flue gas heat exchanger WT50/60 with a boiler, the result is a condensing unit (Tab. 1, page 5).

By observing a minimum return temperature of 60 °C, the condensing unit can be operated for up to 4 weeks as an oil low temperature boiler.

The combustion output of the condensing unit (Tab. 2, page 6) must be observed when making burner adjustments.

Except for the combustion output data, all specifications for the boiler are valid.

Place of installation/boiler room



CAUTION!

BOILER DAMAGE

through contaminated combustion air.

- Never use chlorinated cleaning agents or halogenated hydrocarbons (such as those contained in spray cans, solvents or cleaning agents, paints and adhesives).
- Avoid very dusty atmospheres.



CAUTION!

SYSTEM DAMAGE

caused by frost.

- Ensure that the boiler room is frost-free and well ventilated.



WARNING!

RISK OF FIRE

from flammable materials or liquids.

- Never store flammable materials or liquids in the immediate vicinity of the boiler.

Leak test

The leak test must be carried out to the relevant country standards. The test pressure is 1.3 times the prevailing pressure in the heating system, or at least 1 bar.



USER NOTE

The information on the data plate must be observed.

Safety limits

- Max permitted flow temperature: 120 °C
- Maximum operating pressure: 6 bar
- The flue-gas heat exchanger must be connected in series with the boiler, this requires only one protection against overpressure, and no additional protection against over-temperatures.

2 Scope of supply

- Heat exchanger block on wooden supports
- Casing packed in carton
- Insulation in a bag
- Technical documentation and data label secured on machine block
- Neutralisation device with accessory*
- Flue pipe set in carton (S635 only)

* Ordered separately as an accessory.

Component allocation

Condensing unit Logano plus	Boiler Logano	Flue gas heat exchanger	Neutralisation	
			NE 0.1	NE 1.1
GE315-195	GE315-170	WT50-2-G1	1x	1x
GE315-220	GE315-200	WT60-1-G1		
GE315-260	GE315-230	WT60-2-G1		
SE425-160	SE425-140	WT50-2-S1		
SE425-190	SE425-170	WT50-2-S1		
GE515-240	GE515-240	WT50-1-G2		
GE515-290	GE515-295	WT50-2-G2		
GE515-350	GE515-350	WT50-1-G2		
GE515-400	GE515-400	WT50-3-G2		
SE625-230	SE625-230	WT50-1-S2		
SE625-310	SE625-310	WT60-2-S1		
SE635-230	SE635-230	WT50-1-S2*		
SE635-280	SE635-280	WT60-2-S1*		

* On S635, the difference in height is compensated for by a flue pipe adapter and the adjustable feet.

Tab. 1 Allocation

3 Specifications, dimensions, connections

Logano plus condensing unit	Combustion output kW	Rated output		Flue gas mass flow rate		Flue gas temperature		Hot gas resistance at 75/60* Pa***	Available draught** Pa***
		55/30*	75/60*	55/30*	75/60*	55/30*	75/60*		
		kW	kW	kg/s	kg/s	°C	°C		
GE315-195	185,7	195	180,1	0,0787	0,0791	55	80	204	50
GE315-220	209,5	220	203,2	0,0887	0,0893			227	
GE315-260	247,6	260	240,2	0,1049	0,1055			258	
GE425-160	152,4	160	147,8	0,0645	0,0649			168	
GE425-190	181,0	190	175,5	0,0766	0,0771			200	
GE515-240	228,6	240	221,7	0,0968	0,0974			243	
GE515-290	276,2	290	267,9	0,1170	0,1177			278	
GE515-350	333,3	350	323,3	0,1412	0,1420			314	
GE515-400	381,0	400	370,0	0,1613	0,1623			240	
SE625-230	219,0	230	212,5	0,0928	0,0933			235	
SE625-310	295,2	310	286,4	0,1250	0,1258			291	
SE635-230	221,8	230	214,3	0,0943	0,0945			58	
SE635-280	268,5	280	259,6	0,1141	0,1144	57	79	237	

Tab. 2 Specifications



USER NOTE

The boiler's rated output and combustion output are designed differently because of the combination with the condensing unit.

* Flow/return temperature

** At 10 % CO₂

*** 1 mbar = 100 Pa

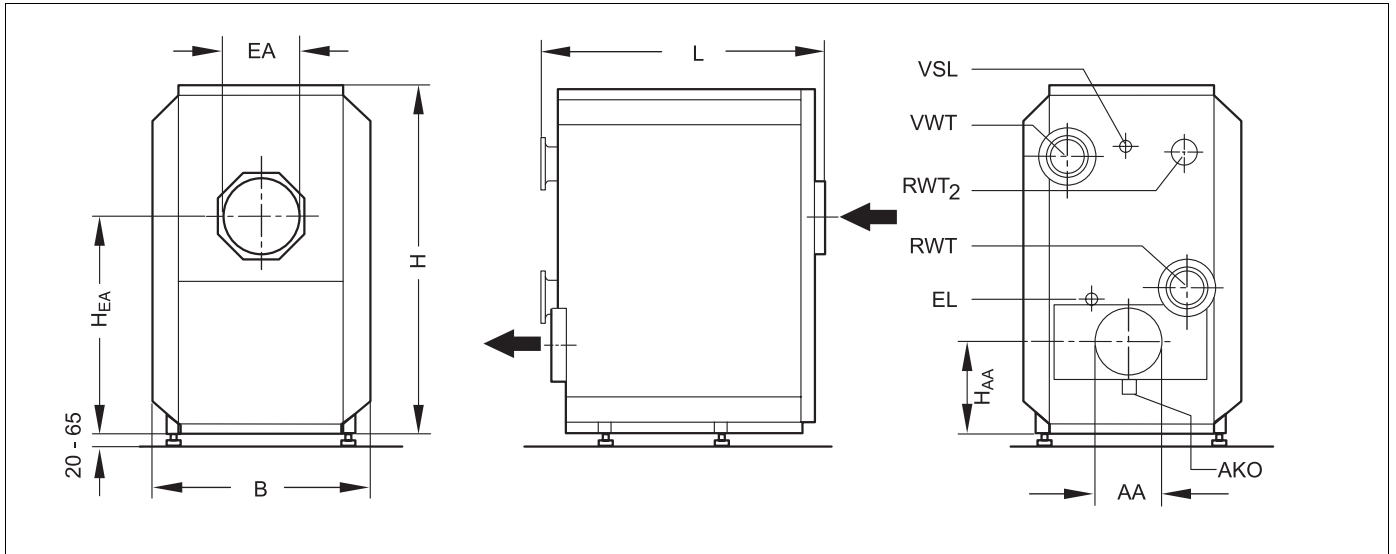


Fig. 1 Dimensions WT50

VWT = Heat exchanger flow
 RWT = Heat exchanger return
 EL = Drain
 RWT₂ = 2nd return

VSL = Flow safety line
 AKO = Condensate drain
 EA = Flue gas inlet diameter
 AA = Flue gas outlet diameter

Device type	Length L	Height H	Width B	Flue gas				Connections		Weight
				EA	AA	H _{EA}	H _{AA}	RWT VWT	VSL EL	
	mm	mm	mm	mm*	mm**	mm	mm	DN ¹		kg
WT50-2-G1	1030	1340	790	178	183	425	376	65	R1	175
WT50-2-S1	1030	1340	790	198	183	785	376	65	R1	170
WT50-1-G2	1030	1340	790	248	253	560	341	65	R1	175
WT50-2-G2	1030	1340	790	248	253	560	341	65	R1	180
WT50-1-S2	1030	1340	790	248	253	1090	341	65	R1	165

Tab. 3 Dimensions WT50

* Outside diameter
 ** Inside diameter
¹ According to DIN 2631 PN 6

3 Specifications, dimensions, connections

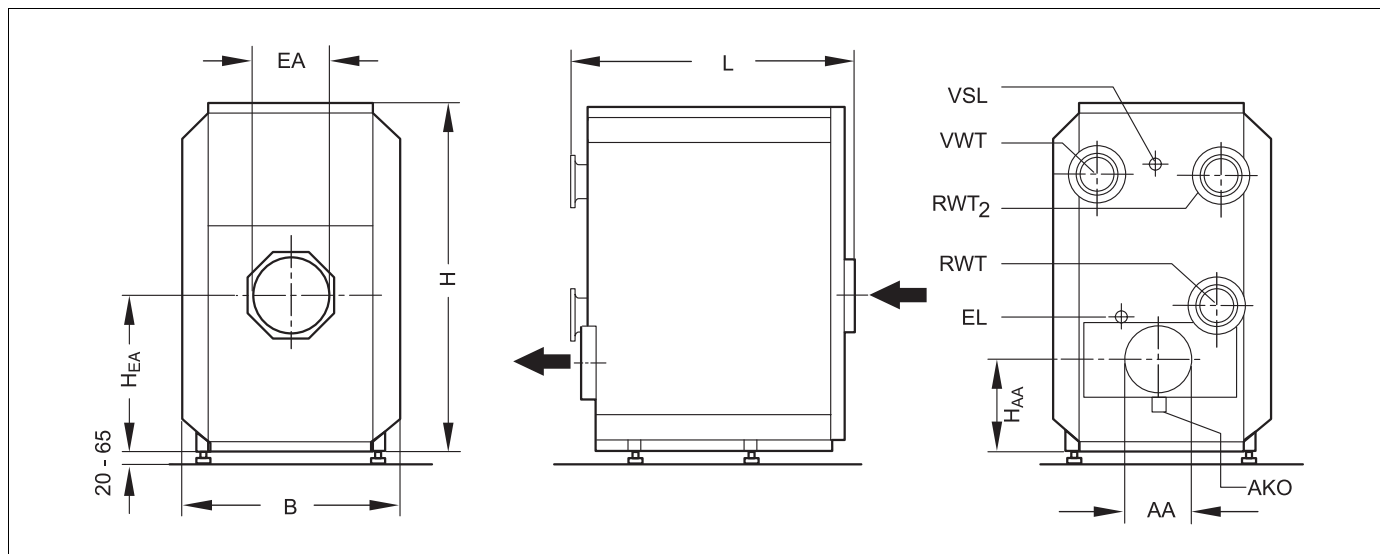


Fig. 2 Dimensions WT60

VWT = Heat exchanger flow
RWT = Heat exchanger return
EL = Drain
RWT₂ = 2nd return

VSL = Flow safety line
AKO = Condensate drain
EA = Flue gas inlet diameter
AA = Flue gas outlet diameter

Device type	Length L mm	Height H mm	Width B mm	Flue gas				Connections		Weight kg
				EA mm*	AA mm**	H _{EA} mm	H _{AA} mm	RWT VWT DN ¹	VSL EL	
WT60-1-G1	1067	1340	790	178	183	425	376	100	R1	200
WT60-2-G1	1067	1340	790	178	183	425	376	100	R1	205
WT60-1-G2	1067	1340	790	248	253	560	341	100	R1	215
WT60-3-G2	1067	1340	790	248	253	560	341	100	R1	220
WT60-2-S1	1067	1340	790	248	253	1090	341	100	R1	195

Tab. 4 Dimensions WT60

* Outside diameter
 ** Inside diameter
 1 According to DIN 2631 PN 6

4 Positioning

It is useful if there is a drain outlet near the installation location.

Position the flue gas heat exchanger at the same level as the boiler.

The surface on which the boiler is placed must be flat and level.

Observe the minimum wall clearances when positioning the flue gas heat exchanger (Fig. 3).

To ensure perfect ventilation, the flue gas heat exchanger must be tilted slightly backwards, using the adjustable feet (Fig. 5 and Fig. 6, page 12).



USER NOTE

Ensure that the flue pipe sealing collar (Fig. 5, page 11) with the clips is located above one of the two flue outlets before the boiler and flue gas heat exchanger flue outlets are levelled (Fig. 4, page 10).

To arrange the boiler and flue gas heat exchanger at right angles, see the information given in the data sheet (flue connection set scope of supply).

When installing your boiler maintain the recommended minimum dimensions (Fig. 3). Observe the recommended clearances between wall and boiler to enable easy access for installation, maintenance and service work.

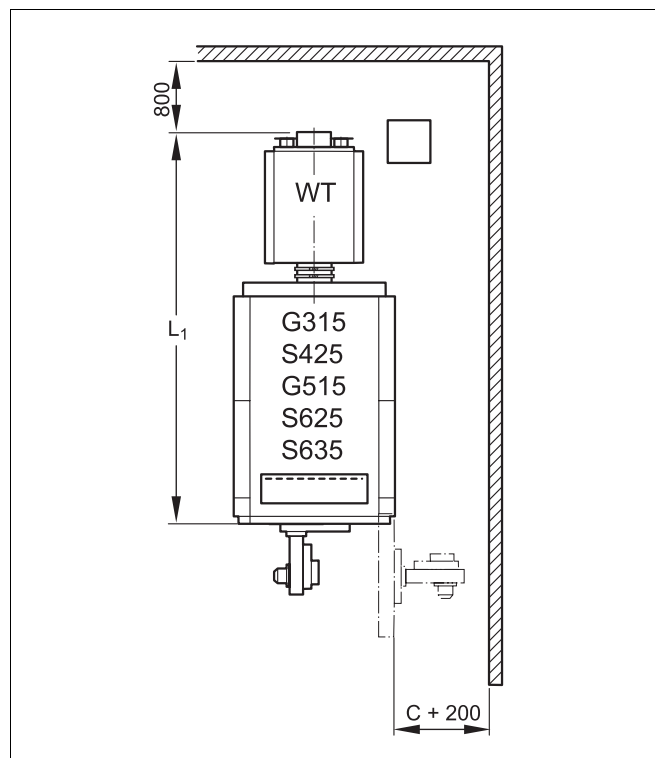


Fig. 3 Positioning

C = Burner projection

Condensing unit	Length L_1
Logano plus	mm
GE315-195	2540
GE315-220	2750
GE315-260	2910
SE425-160	2860
SE425-190	2860
GE515-240	2615
GE515-290	2785
GE515-350	3005
GE515-400	3175
SE625-230	3455
SE625-310	3505
SE635-230	3333
SE635-280	3383

Tab. 5 For Fig. 3 positioning

5 Installation



DAMAGE TO THE UNIT

from welding and grinding work.

CAUTION!

- If carrying out any welding or grinding work, ensure that stainless steel surfaces are not damaged. These should be protected.
- Keep the flue outlet closed until installation.

5.1 Rotating the flue gas header

The flue gas header (Fig. 4, **Item 2**) can be shifted 90°.

- Loosen four nuts from underneath, swivel the clamping angle outwards (Fig. 4).
- Completely remove flue gas header (Fig. 4, **Item 2**) and put back in place, rotated through 90°.
- Level flue gas header, swivel clamping angle inwards and tighten nuts (Fig. 4).
- Fit the flue gas distributor in such a way that it touches the sealing face at the front.



USER NOTE

Make sure that it is sitting correctly and prevent the silicon gasket from becoming deformed.

Check all flue connections for leaks.

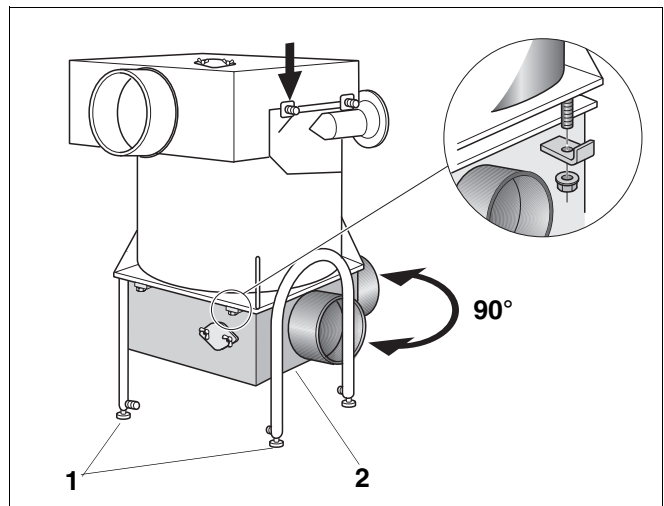


Fig. 4 Rotating and levelling the flue gas header

Item 1: Adjustable feet

Item 2: Flue gas header

5.2 Flue gas connection

The flue gases must be fed outside into the open air via flues. Appropriate regulations must be followed.

Use only flues that conform to building regulations and are resistant to humidity.

Observe the flue gas system manufacturer's installation instructions.

- Remove protective cover in front of the flue outlets.
- Align boiler and flue gas heat exchanger flue outlets, keeping them 5–10 mm apart (Fig. 5).
- On SE635, first place the flue pipe sealing collar (Fig. 5, **Item 2**) then the flue pipe adapter (Fig. 5, **Item 3**) with the greater diameter over the boiler flue outlet and seal it using the flue pipe sealing collar provided.
- Push flue pipe sealing collar (Fig. 5, **Item 2**) over both flue outlets and tighten using two clips (Fig. 5, **Item 1**).
- Make flue gas connection between flue gas heat exchanger and flue.



RISK TO LIFE

through escaping gases.

WARNING! Make sure there are no leaks.

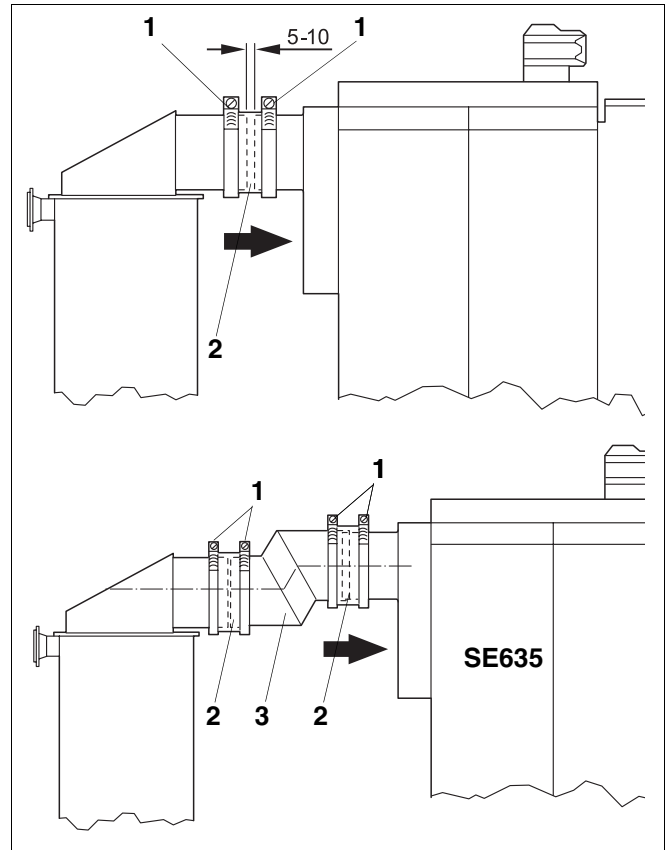


Fig. 5 Tighten flue pipe sealing collar

Item 1: Clip

Item 2: Flue pipe sealing collar

Item 3: Flue pipe adapter

5.3 Installing

Isolation valves must be provided in the flow and return pipes.

- Connect water pipe connections, ensuring that they are free of stress.
- Separate lock shield (relief valve) from pressure expansion vessel (in sealed systems) before testing pressure.
- Ensure flue gas heat exchanger is ventilated.
- Insert hose bracket (Fig. 6, **Item 3**) into the hole in the frame.
- Using a screwdriver open the hose bracket until the hose holder is firmly in place.
- Using hose clip (Fig. 6, **Item 1**), fasten drain hose* (Fig. 6, **Item 2**) to the condensate outlet.
- Insert drain hose* into the hose holder, shape like a siphon and clamp tight with nut and bolt (Fig. 6).

* Neutralisation device accessory

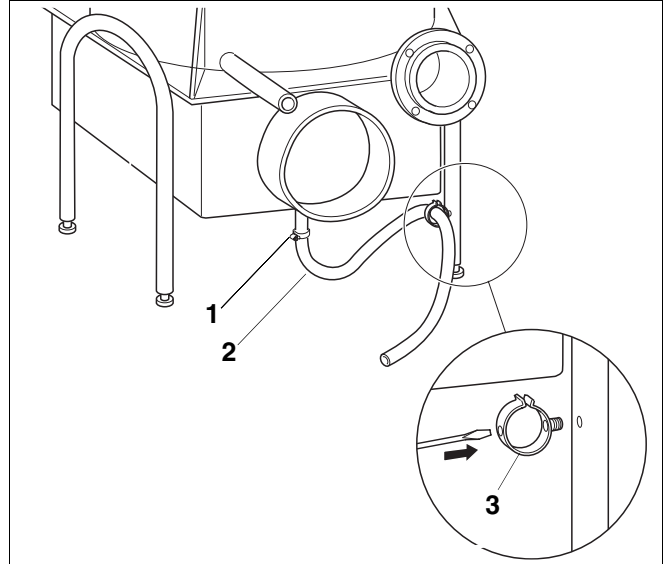


Fig. 6 Fitting drain hose

Item 1: Hose clip

Item 2: Drain hose

Item 3: Hose holder

5.4 Fitting the casing

5.4.1 Fitting beams

- Screw upper left and right beams (Fig. 7, **Item 1** and **2**) with two nuts each (Fig. 7, **Item 4**) onto the tabs (Fig. 7, **Item 3**).



USER NOTE

The folded edges on the beams must face outwards on the WT50, and inwards on the WT60.

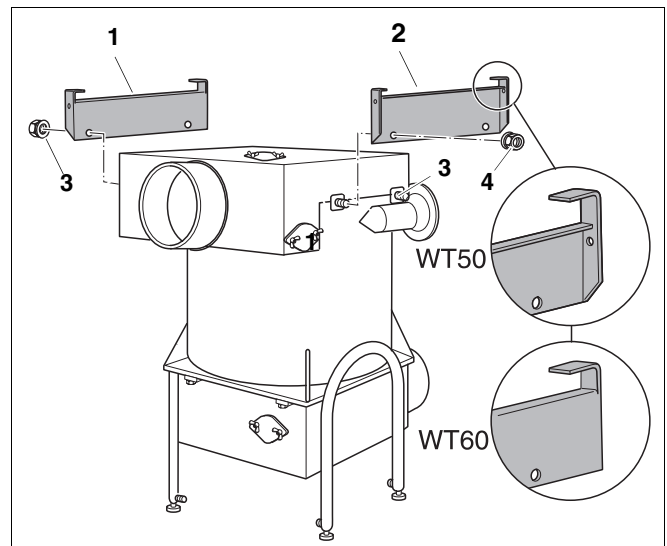


Fig. 7 Fitting upper beams

Item 1: Left beam

Item 2: Right beam

Item 3: Tab

Item 4: Nut

- Hook the holes on the left and right lower side beams (Fig. 8, **Item 1**) onto the threaded bolts, and fasten with nuts (Fig. 8).



USER NOTE

Bring the slotted holes on the side beams forward (Fig. 8)

- Screw both the front and back cross-beams (Fig. 8, **Item 2**) with 2 self-tapping screws each onto the side beams in such a way that they overlap the same length on the right and left.

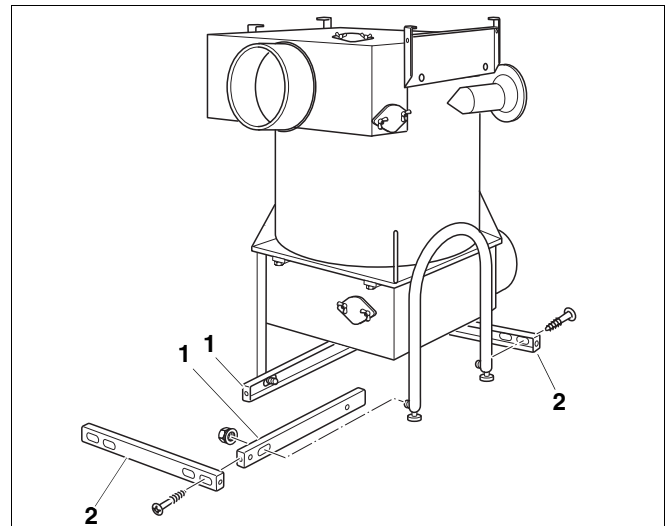


Fig. 8 Fitting lower side beams

Item 1: Side beam

Item 2: Cross-beam

5.4.2 Fitting the insulation and side panels

- Place cutouts in the insulation (Fig. 9, **Item 1**) over the flow and return connections, and wrap insulation around the body of the unit (Fig. 9).
- Fasten the insulation (Fig. 9, **Item 1**) in place with three spring clips (Fig. 9, **Item 2**), making sure it overlaps.

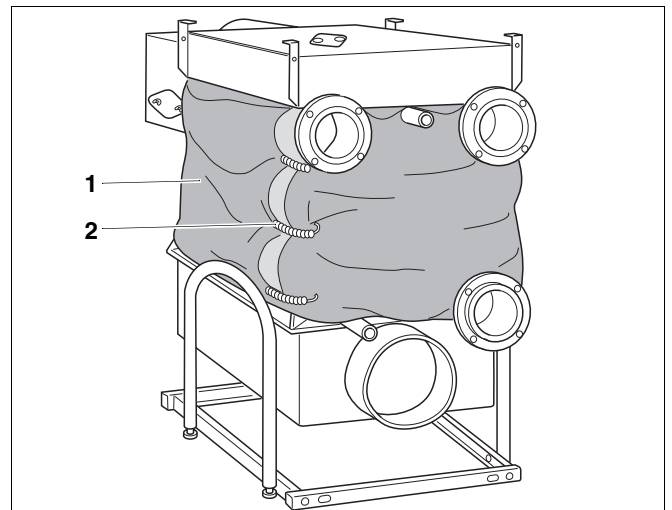


Fig. 9 Fitting insulation

Item 1: Insulation

Item 2: Spring clip

- From above, place insulation (Fig. 10, **Item 1**) over the flue gas distributor and push the right and left side ends behind the beams (Fig. 10).
- Secure at the back with two spring clips.
- Secure the front of the insulation with 9 spring clips.



USER NOTE

When fitting the insulation, be careful not to cover the clean-out openings (Fig. 10, **Item 3**) on the top and sides of the flue gas distributor.

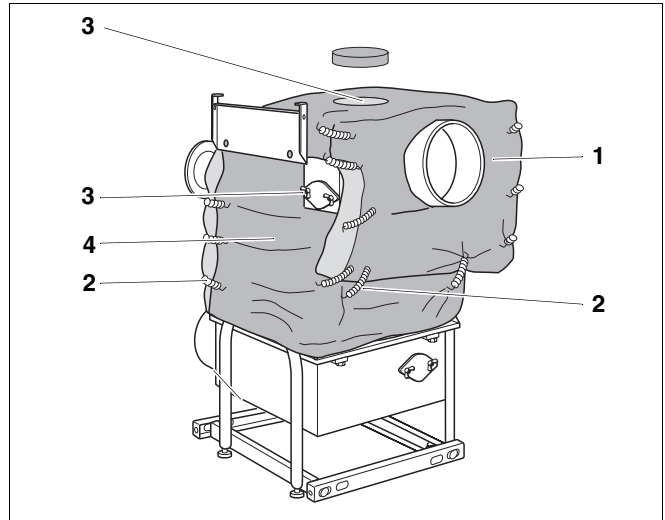


Fig. 10 Fitting insulation

Item 1: Insulation

Item 2: Spring clip

Item 3: Clean-out opening

Item 4: Insulation

- Hook the top of the right and left-hand side panels (Fig. 11, **Item 1**) into the beams and push forward against the stop.
- Screw the front of each side panel into the cross-beam using a self-tapping screw (Fig. 11, **Item 2**).

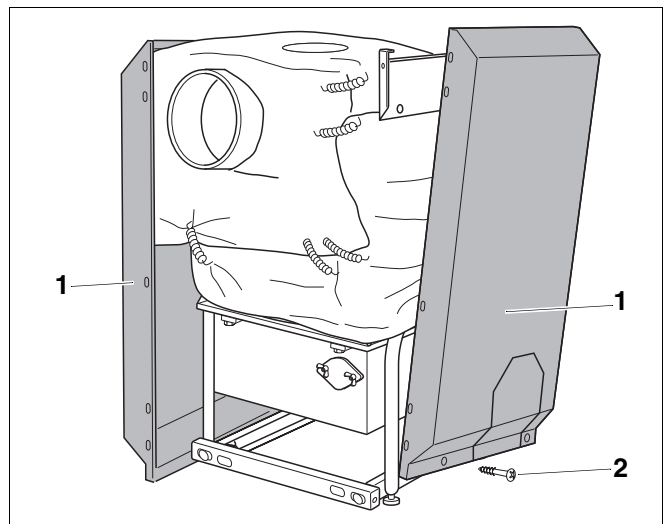


Fig. 11 Fitting side panel

Item 1: Right and left-hand side panels

Item 2: Self-tapping screws



USER NOTE

On a flue gas header which has been turned through 90°, the fillet must be removed from the right or left-hand side panel, to make room for the flue outlet (Fig. 12).

- Unscrew 2 self-tapping screws from the fillet or side panel.
- Pull out the upper and left and right fillet tabs, and remove fillet (Fig. 12).

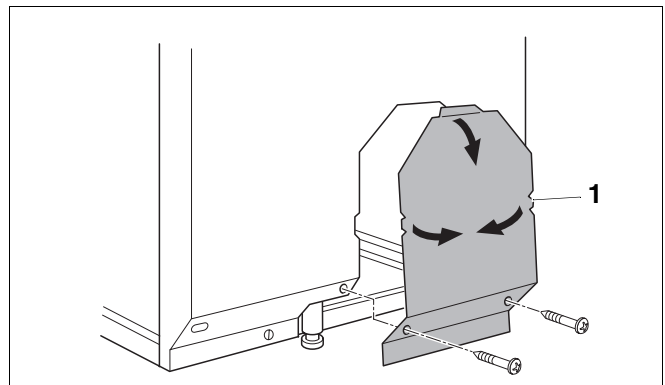


Fig. 12 Removing fillet

Item 1: Tab

5.4.3 Fitting rear panel and hood

- Lay the upper rear panel (Fig. 13, **Item 1**) against the folded edges of the side panels, and using one self-tapping screw on each side, left and right, screw into the folded edge of the side panel and into the beam.
- Lay the lower rear panel (Fig. 13, **Item 3**) against the folded edges of the side panel, and screw in place using two self-tapping screws on each side, left and right.
- Slot both tabs on the centre rear panel (Fig. 13, **Item 2**) upwards into the slots on the upper rear panel, and screw into the lower rear panel using one self-tapping screw.

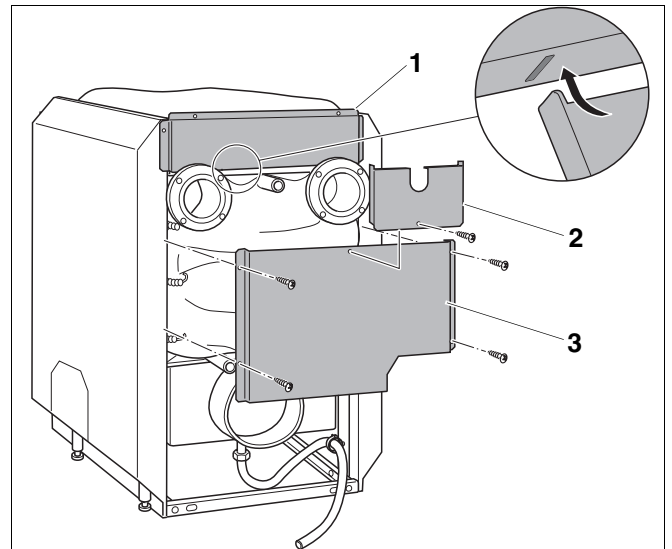


Fig. 13 Fitting the rear panel

Item 1: Upper rear panel

Item 2: Centre rear panel

Item 3: Lower rear panel

- Place the hood (Fig. 14, **Item 1**) with two hooks on top of the folded edges of the side panels, and push forward until the hooks are hooked into the slots.
- Screw the back of the hood into the upper rear panel using two self-tapping screws.

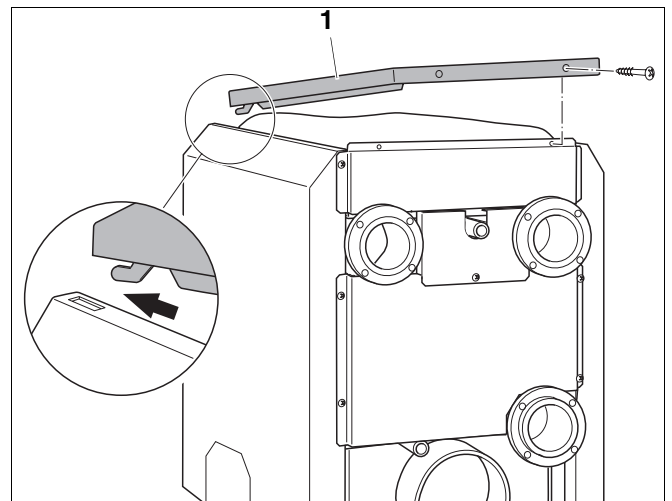


Fig. 14 Fitting hood

Item 1: Hood

5.4.4 Fitting the front panel

Front panels are fitted differently, depending on the model.

WT60-S1 and WT50-S2

- Preassemble lower front panel and screw together using 2 self-tapping screws (Fig. 15).
- Push lower edge of part shown (Fig. 15, **Item 2**) over the inner part (Fig. 15, **Item 3**) up to the dotted line, until the holes in the folded edge overlap.
- First hook the upper front panel over the flue outlet by inserting the hooks into the 4 slots on the right and left folded edges on the side panels (Fig. 19, page 18).
- Hook the preassembled lower front panel under the flue outlet by inserting the hooks into the 4 slots on the right and left folded edges on the side panels (Fig. 19, page 18).

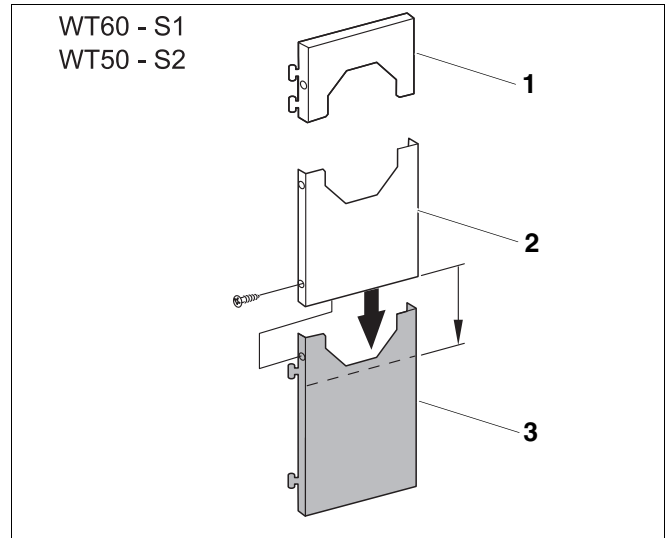


Fig. 15 Preassembling front panel (WT60-S1 and WT50-S2)

Item 1: Upper front panel

Item 2: Lower front panel

Item 3: Lower front panel (inner)

WT60-G1 and WT50-G1

Fitting takes place as shown in Fig. 16, without any need for pre-assembly.

- First hook the lower front panel (Fig. 16, **Item 2**) under the flue outlet by inserting the hooks into the 4 slots on the right and left folded edges on the side panels (Fig. 19, page 18).
- Hook the upper front panel (Fig. 16, **Item 1**) over the flue outlet by inserting the hooks into the 4 slots on the right and left folded edges on the side panels (Fig. 19, page 18).

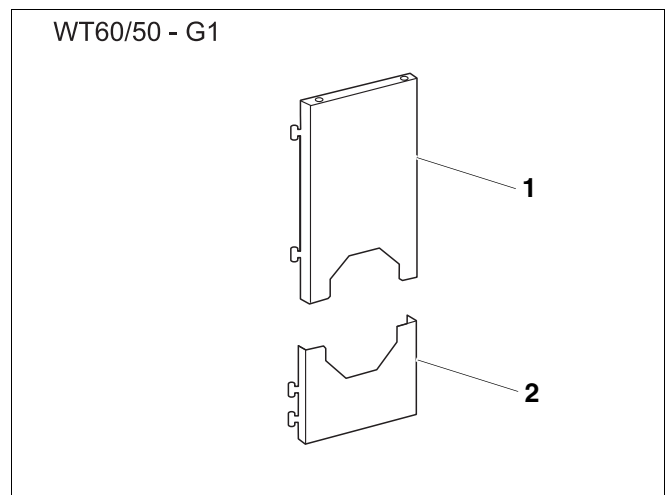


Fig. 16 Front panel (WT60-G1 and WT50-G1)

Item 1: Upper front panel

Item 2: Lower front panel

WT60-G2 and WT50-G2

- Preassemble lower front panel and screw together using 2 self-tapping screws (Fig. 17).
- Push lower edge of part shown (Fig. 17, **Item 2**) over the inner part (Fig. 17, **Item 3**) up to the dotted line, until the holes in the folded edge overlap.
- First hook the upper front panel over the flue outlet by inserting the hooks into the 4 slots on the right and left folded edges on the side panels (Fig. 19, page 18).
- Hook the preassembled lower front panel under the flue outlet by inserting the hooks into the 4 slots on the right and left folded edges on the side panels (Fig. 19, page 18).

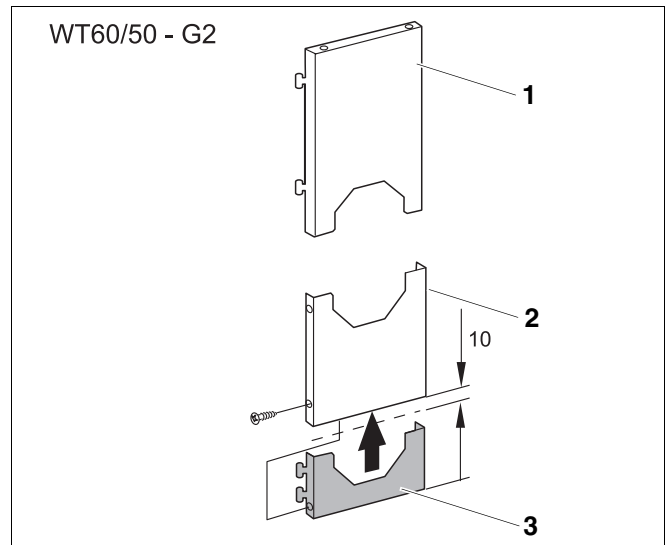


Fig. 17 Preassembling front panel (WT60-S1 and WT50-S2)

Item 1: Upper front panel

Item 2: Lower front panel

Item 3: Lower front panel (inner)

WT50-S1

- Preassemble upper front panel and screw together using 2 self-tapping screws (Fig. 18).
- Push upper edge of inner part (Fig. 18, **Item 1**) over the part (Fig. 18, **Item 2**) up to the dotted line, until the holes in the folded edge overlap.
- First hook the lower front panel (Fig. 18, **Item 3**) under the flue outlet by inserting the hooks into the 4 slots on the right and left folded edges on the side panels (Fig. 19).
- Hook the preassembled upper front panel over the flue outlet by inserting the hooks into the 4 slots on the right and left folded edges on the side panels (Fig. 19).

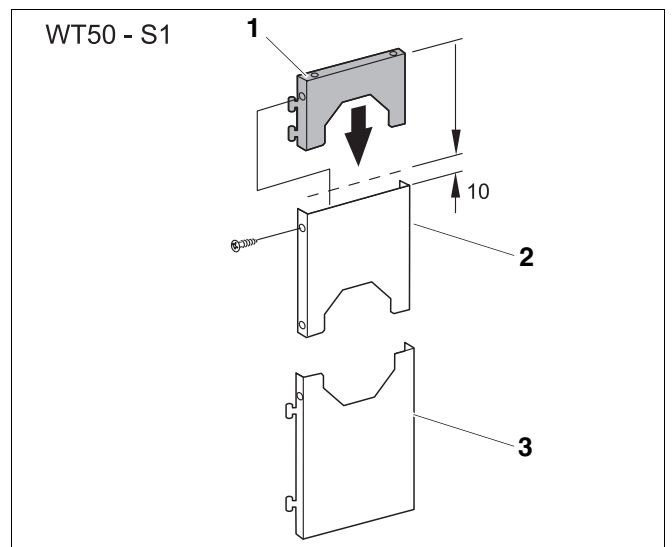


Fig. 18 Preassembling front panel (WT60-S1 and WT50-S2)

Item 1: Upper front panel (inner)

Item 2: Upper front panel

Item 3: Lower front panel

5.4.5 Attaching the data plate

Data plates 2 and 3 are enclosed with the technical documentation. Data plate 2 must be compared with the data plate on the machine block and attached to the casing as the specific conditions will allow (Fig. 19, **Item 1**).

- Attach data plate 3 with the data for the entire condensing unit to the boiler casing, next to the existing data plate.

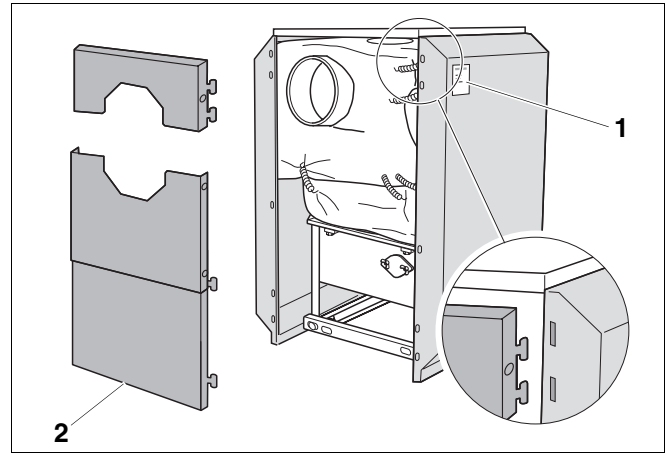


Fig. 19 Fitting the front panel (schematic)

Item 1: Data plate

Item 2: Lower and upper front panels

5.5 Connecting neutralisation (e.g. NE 1.1)

Arrange the neutralisation device in such a way that there are no kinks in the hoses.

The maximum permitted difference in height between the outlet and drain is 2.0 m (NE 1.1 and NE 2.0 only).

- Check whether there is granulate in the neutralisation holder.
- Make hose connection.
- Make electrical connection (if required).
- Check all connections for leaks.
- Observe the relevant installation instructions.

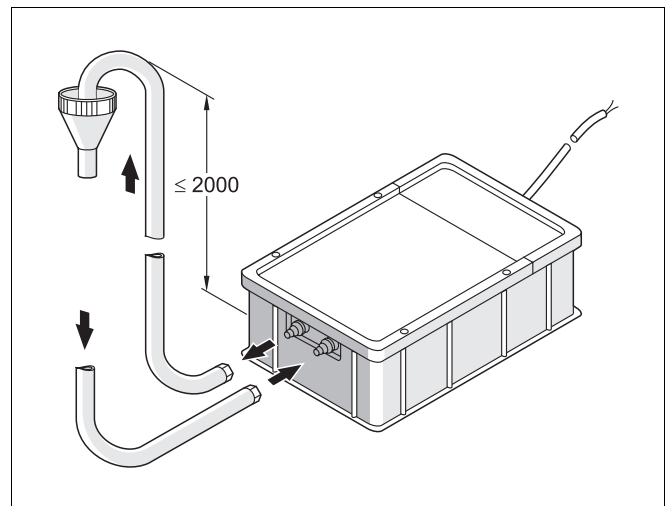


Fig. 20 Connecting neutralisation

6 Commissioning



BOILER DAMAGE

from corrosion and sludge.

CAUTION!

- Before filling, the entire heating system **MUST** be flushed.
- In order to prevent sludge and corrosion, test the quality of the fill and top-up water (refer to "Water treatment..." data sheet).



USER NOTE

Start up the condensing unit according to the user manuals for the boiler, burner and electronic heating circuit control.

When handing over the system, show the operator how it functions and how to operate it, and hand over the technical documentation to him.

Point out the special considerations for the maintenance of the flue gas heat exchanger and the neutralisation device.

We recommend you arrange a maintenance contract with a registered heating installer.

When setting/adjusting the burner, take account of the condensing unit combustion output (Tab. 2, page 6).

7 Maintenance

The operator is obliged to arrange to have the heating system cleaned and maintained on an annual basis.

The entire condensing unit (including the neutralisation device) must undergo maintenance once a year.

We recommend that you arrange a maintenance contract, since maintenance on gas-carrying equipment must only be carried out by a licensed company.

Refer to the separate maintenance manual for boiler maintenance.

For burner maintenance, follow the burner manufacturer's maintenance instructions. Only Buderus cleaning brushes* may be used for cleaning (or plastic brushes).



USER NOTE

After using as a low temperature boiler, and/or after changing the fuel from oil to gas, check whether any cleaning is necessary.

- To do this, the flue gas distributor must be removed (Fig. 21, **Item 3**).
- When cleaning, you must use the plastic brush shown in Fig. 21 in such a way that it comes out of the end of the pipes.
- When testing/checking or carrying out chemical cleaning, use the clean-out openings (Fig. 10, page 14).
- You must check the silicon gasket (Fig. 21, **Item 1**) on the flue gas distributor and the flue pipe sealing collar. Replace them if they are damaged.

* Accessories ordered separately.

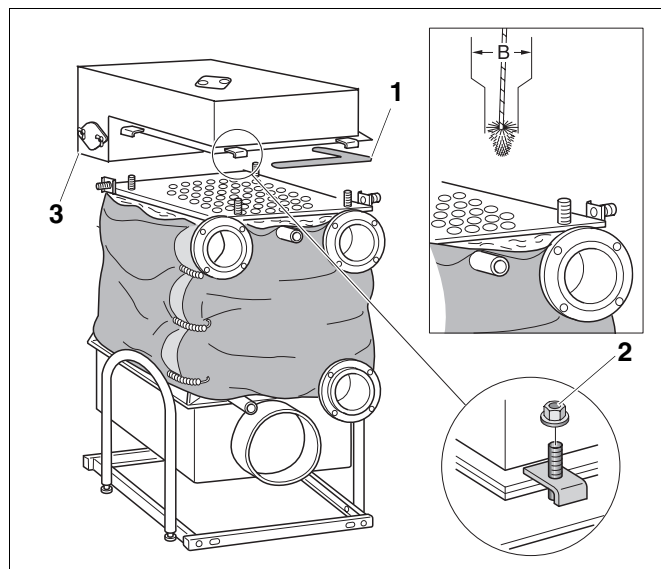


Fig. 21 Removing flue gas distributor

Item 1: Silicon gasket

Item 2: Nuts

Item 3: Flue gas distributor



RISK OF INJURY

Check all flue connections for leaks.

CAUTION!

We recommend that you replace the granulate in the neutralisation device at yearly intervals (Fig. 22).



RISK OF INJURY

When replacing the granulate, refer to the granulate manufacturer's safety instructions.

CAUTION!

- Carry out all maintenance steps according to the checklist on page 22.

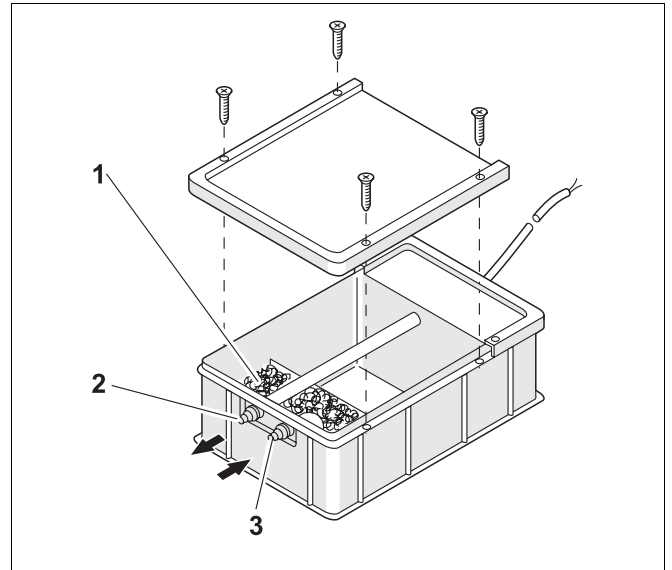


Fig. 22 Replacing granulate

Item 1: Granulate

Item 2: Outlet for neutralised condensate

Item 3: Inlet for condensate

7.1 Checklist – condensing unit with neutralisation

Maintenance work carried out must be marked with an "X" in the corresponding column and confirmed by entering the date and a signature in the field with the corresponding number.

Burner and boiler maintenance must be carried out according to the relevant maintenance manual.

Condensing unit		01	02	03	04	05	06	07	08
1	Isolate heating system from power supply								
2	Close fuel stop valve, clean boiler according to maintenance manual								
3	Completely remove hood from the flue gas heat exchanger (Fig. 14)								
4	Open flue gas distributor clean-out cover, check/clean flue gas distributor, completely remove flue gas distributor if necessary.								
5	Check/replace flue pipe sealing collars								
6	Remove front panel/casing (Fig. 11 to 19)								
7	Open clean-out cover in flue gas header, check/clean secondary heating surfaces on the flue gas heat exchanger (Fig. 10)								
8	Unscrew neutralisation drain hose (AKO condensate drain) (Fig. 6)								
9	Flush AKO condensate drain (Fig. 6)								
10	Clean/replace silicon gaskets on clean-out covers and flue gas distributor hood (if necessary)								
11	Close clean-out cover, screw shut, fit flue gas distributor hood (if applicable)								
12	Fit front panel/casing								
13	Check the flue pipe for leaks								
14	Check the function of the safety equipment								
15	Check the function of the control equipment								
16	Start up the heating system according to the operating manual								
17									
18									
19									
20									
Neutralisation device									
1	Isolate neutralisation device from power supply								
2	Loosen drain hose and pump hose on the granulate container (Fig. 22)								
3	Remove container cover from neutralisation device (Fig. 22)								
4	Remove old granulate (container can be upended through 180°), clean container (granulate can be disposed of with domestic waste)								
5	Fill with new granulate (according to manufacturer's instructions)								
6	Put neutralisation device container cover back in place and screw shut (if applicable)								
7	Plug in electrical connection cable on the neutralisation device								
8	Make hose connections and check for leaks								
9	Start up neutralisation system								
10									

Licensed company Date:	01	Licensed company Date:	02	Licensed company Date:	03	Licensed company Date:	04
Licensed company Date:	05	Licensed company Date:	06	Licensed company Date:	07	Licensed company Date:	08

Your installer:



Buderus

Buderus
Cotswold Way, Warndon, Worcester WR4 9SW
Tel.: 01905 752794, Fax: 01905 753130
www.buderus-commercial.co.uk

BBT Thermotechnik GmbH
D-35573 Wetzlar
www.heiztechnik.buderus.de
info@heiztechnik.buderus.de

In the UK, Buderus is a trading name of
BBT Thermotechnology Ltd.