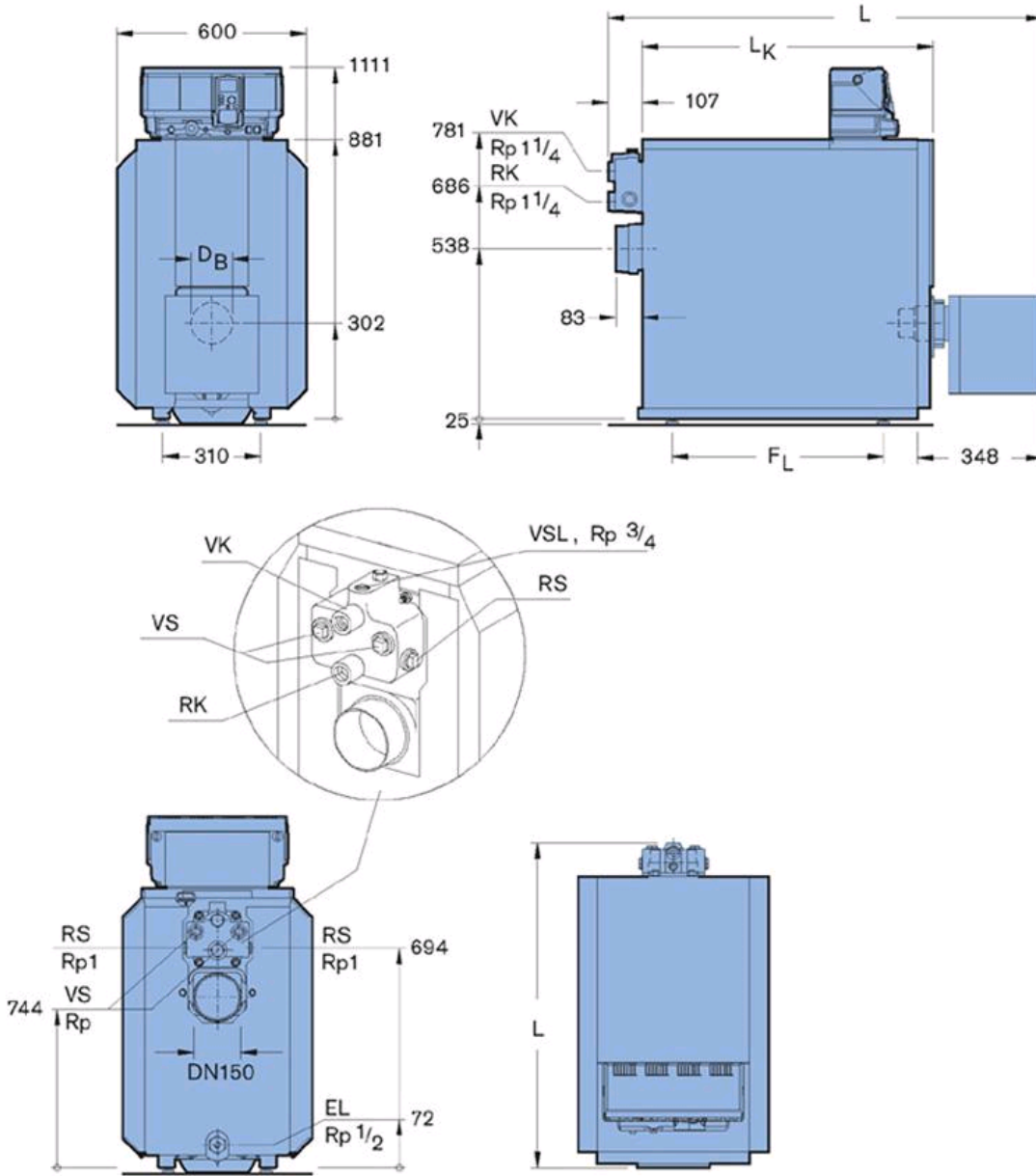


[G 215 95kW]

Dimensions



Parameter	Value
Number of sections	7
Length, L_K	1040mm
Width	600mm
Width for access	460mm
Height	1111mm
Height max incl controls	1126mm
Transportation, Boiler section	Width 460/Height 820/Depth 150mm
Transportation, Boiler block	Width 460/Height 820/Depth L_K mm
Net weight	362kg
Combustion chamber, L_F	908mm
Combustion chamber, \diamond	337mm
Burner door, Depth	95mm
Burner door, \diamond D_B	130mm
Burner door, \diamond Hole circle	170mm
Adjusted feet, F_L	815mm

Technical Parameters

Parameter	Value
Output	95kW
Max working pressure	4bar

Max flow temperature	120◆C
Rated heat input	76kW - 103.2kW
Water content	97l
Pressure at flue outlet	0Pa
Flue gas resistance	0.35mbar - 0.71mbar
Gas content	117.7l
CE certification, product ID no.	CE 00 85 AS 0368
Nominal heat output	71kW - 95kW
Flue gas temperature	160◆C - 198◆C
Type approval no.	Z-FDK-MUC-00-318-302-24
Efficiency (NCV)	95%