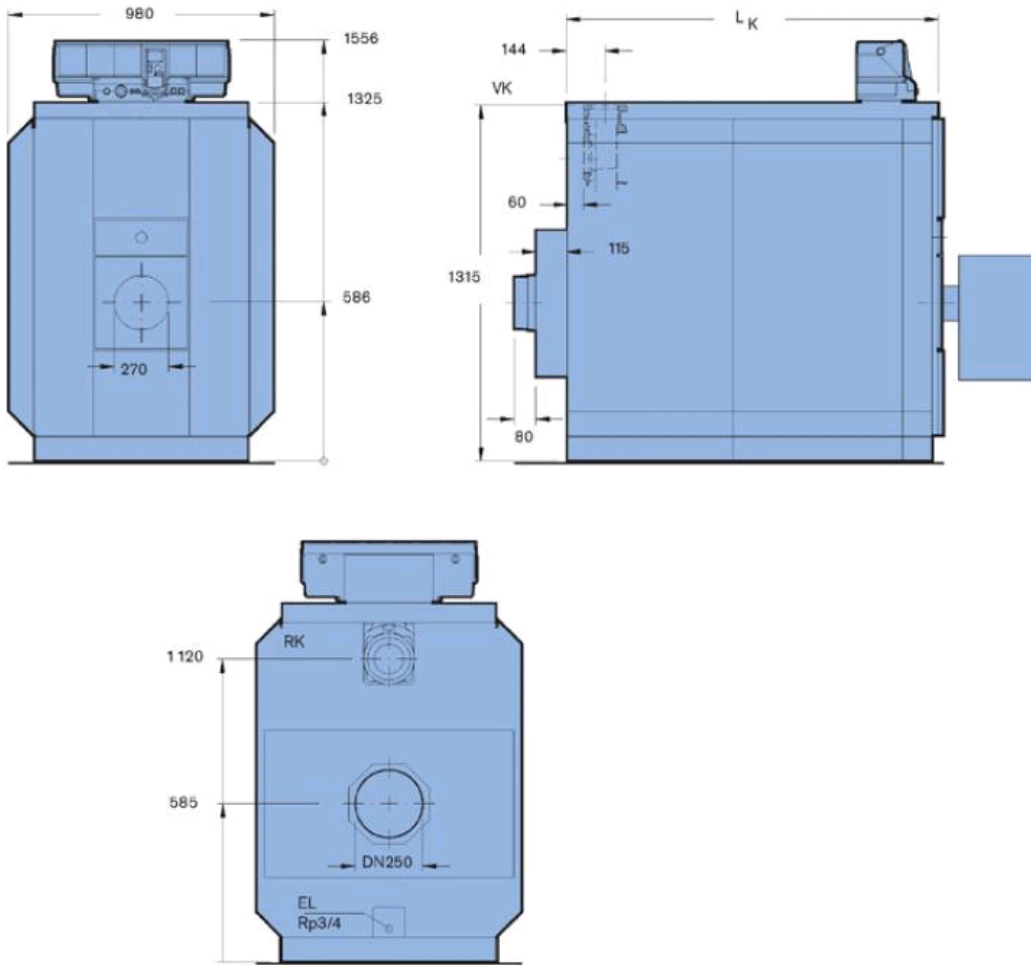


## [GE 515 400kW]

### Dimensions



Parameter	Value
Number of sections	10
Length, L	2090mm
Length, $L_K$	1870mm
Height max incl controls	1556mm
Width	980mm
Net weight	1753kg
Combustion chamber, Length	1675mm
Combustion chamber, $\diamond$	515mm
Burner door, Depth	142mm
Boiler flow connection, $\diamond$ VK	Connecting flange as ordered, reduced to DN 100, DN 80 or DN 65
Boiler return connection, $\diamond$ RK	Connecting flange as ordered, reduced to DN 100, DN 80 or DN 65

### Technical Parameters

Parameter	Value
Output	400kW
Max flow temperature	120 $\diamond$ C
Rated heat input	374.6kW - 429.6kW
Water content	366l
Pressure at flue outlet	0Pa
Flue gas resistance	2.1mbar - 2.9mbar
Gas content	616l
CE certification, product ID no.	CE-0461 AR 6154
Nominal heat output	351kW - 400kW
Max working pressure (gauge)	6bar
Type approval no.	06-226-640
Flue gas temperature, 60% part load	129 $\diamond$ C

Flue gas temperature, Full load	157°C - 171°C
Efficiency (NCV)	96%
Flue gas mass flow rate, Oil full load	0.159kg/s - 0.182kg/s
Flue gas mass flow rate, Oil part load 60%	0.108kg/s
Flue gas mass flow rate, Gas part load 60%	0.108kg/s
Flue gas mass flow rate, Gas full load	0.160kg/s - 0.183kg/s
CO <sub>2</sub> content, Gas	10%
CO <sub>2</sub> content, Oil	13%