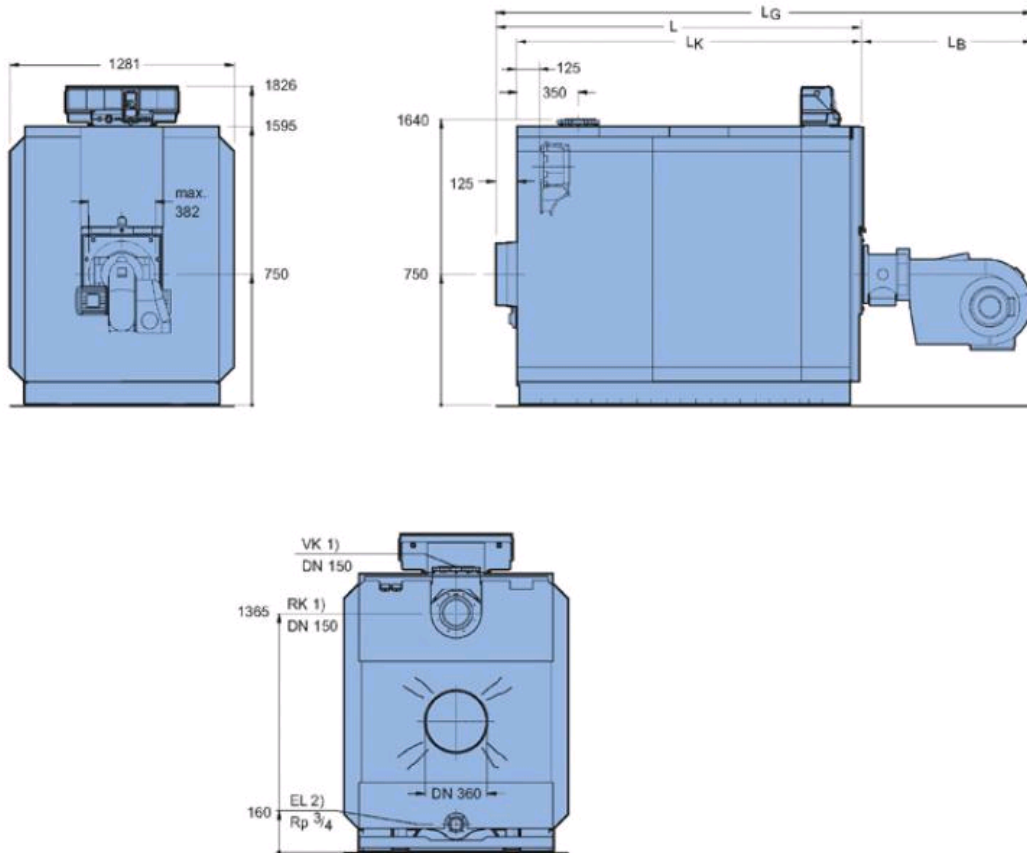


[GE 615 1200kW]

Dimensions



Parameter	Value
Number of sections	16
Length, L	3116mm
Length, L _K	2994mm
Height max incl controls	1826mm
Width	1281mm
Net weight	4147kg
Combustion chamber, Length	2715mm
Combustion chamber, \diamond	680mm
Burner door, Depth	145mm
Boiler flow connection, \diamond VK	Connection flange can be ordered as reduced to DN 150, DN 125 or DN 100
Boiler return connection, \diamond RK	Connection flange can be ordered as reduced to DN 150, DN 125 or DN 100

Technical Parameters

Parameter	Value
Output	1200kW
Max flow temperature	120 \diamond C
Rated heat input	1188kW - 1297kW
Water content	981l
Pressure at flue outlet	0Pa
Flue gas resistance	5.8mbar
Gas content	1657l
CE certification, product ID no.	CE-461 AS 255
Nominal heat output	1111kW - 1200kW
Max working pressure (gauge)	6bar
Type approval no.	06-226-713
Flue gas temperature, 60% part load	140 \diamond C
Flue gas temperature, Full load	170 \diamond C - 180 \diamond C
Efficiency (NCV)	96%

Flue gas mass flow rate, Oil full load	0.5043kg/s - 0.5505kg/s
Flue gas mass flow rate, Oil part load 60%	0.3234kg/s
Flue gas mass flow rate, Gas part load 60%	0.3246kg/s
Flue gas mass flow rate, Gas full load	0.5061kg/s - 0.5525kg/s
CO ₂ content, Gas	10%
CO ₂ content, Oil	13%