

# TECHNICAL BULLETIN

## PRODUCT: WORCESTER AND BUDERUS GB162 (65kW, 80kW AND 100kW)

### BUDERUS AND WORCESTER GB162 – 65, 80 AND 100 KW DYNAMIC GAS PRESSURES:

Following recent testing, Bosch has issued guidance concerning measured dynamic (working) gas pressures for the GB162 range of boilers.

The GB162 can be installed in both domestic and commercial environments, which means there are a number of different standards that can apply when installing gas supply pipe work. As a general rule these standards call for a pressure loss no greater than 1 mbar (Nat gas) or 2.5 mbar (LPG) across the pipe work installation.

Buderus have previously required a minimum pressure of 17mbar (revised to 18 mbar) as a safe working pressure, when delivered **before** the appliance service isolation valve. Since a test point is rarely installed at this position, the gas valve inlet test point (*Fig. 1 and Fig. 2*) is generally used for measurement.

To avoid pressure losses within the appliance leading to false indications of the delivered gas pressure, the figures in *Table 1* may be used to confirm sufficient gas supply.

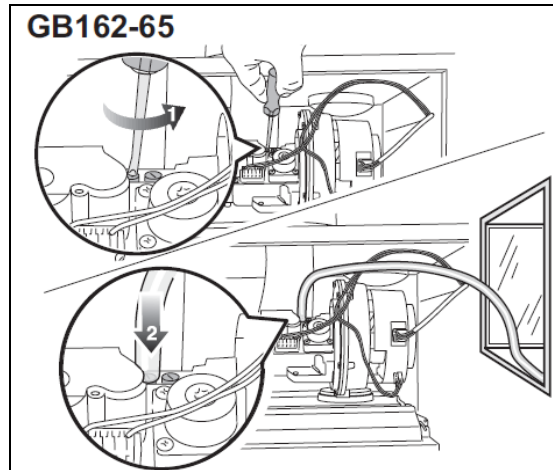


Fig. 1: Gas valve inlet test point GB162 (65kW)

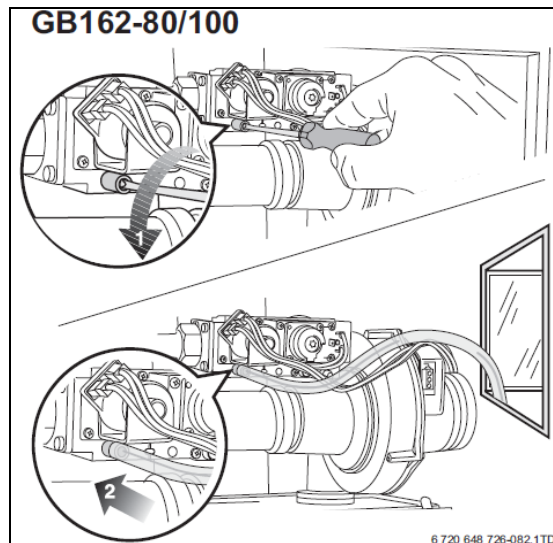


Fig. 2: Gas valve inlet test point GB162 (80kW and 100kW)

| Natural Gas                      | Minimum gas pressure | Maximum gas pressure |
|----------------------------------|----------------------|----------------------|
| Before appliance isolating valve | 18 mbar              | 25 mbar              |
| At gas valve inlet test point    | 13 mbar              | 25 mbar              |
| LPG                              | Minimum gas pressure | Maximum gas pressure |
| Before appliance isolating valve | 30 mbar              | 50 mbar              |
| At gas valve inlet test point    | 25 mbar              | 50 mbar              |

Table 1: Minimum and maximum gas pressure

It is still the responsibility of the installer to ensure the pressure drop along the gas supply pipe is within tolerances given within industry guidelines. A gas rate test may also be used to confirm the set output of the appliance. Installation manuals will be updated in due course to reflect this guidance.