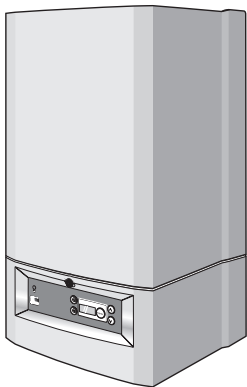


# Users manual

Gas wall hung Boiler condensing  
Buderus 500 - 24/S



**Buderus**

Please read thoroughly before operating the unit



## **Introduction**

Please read these instructions and follow them carefully for a safe and economical use of your system boiler.

## **Important general instructions for use**

This device should only be used for its intended purpose and in accordance with the regulations.

It is a requirement and in your own interest, and that of safety that this boiler must be installed by a CORGI registered installer, in accordance with the relevant requirements of the current Gas Safety (Installation and Use) Regulations,

The Building Regulations, current I.E.E. Wiring Regulations and the relevant British Standard Codes of Practise.

The device may only be used in combination with the units, accessories and spare parts listed in the installation and maintenance instructions.

Other combinations of units, accessories and consumables are only to be used if they completely fulfil the specifications involved, and if system performance and safety are not affected in any way.

### **Subject to technical modifications**

As a result of our policy of constant development, there may be small differences with respect to illustrations, functional steps and technical data.

### **Cleaning**

For normal cleaning simply dust with a dry cloth. To remove stubborn marks and stains, wipe with a damp cloth and soap and finish off with a dry cloth.

**DO NOT use abrasive cleaning materials.**

### **G. C. Appliance No. :**

Buderus 500-24/S : 41-110-24

<b>1</b>	<b>Safety precautions . . . . .</b>	<b>6</b>
<b>2</b>	<b>Installation area / boiler room . . . . .</b>	<b>7</b>
<b>3</b>	<b>Working in the heating system . . . . .</b>	<b>8</b>
<b>4</b>	<b>Functions of the system and operating instructions . . . . .</b>	<b>9</b>
<b>5</b>	<b>Maintenance intervals . . . . .</b>	<b>9</b>
<b>6</b>	<b>Conversion to LPG . . . . .</b>	<b>10</b>
<b>7</b>	<b>Abbreviations . . . . .</b>	<b>11</b>
<b>8</b>	<b>Permanent clearances . . . . .</b>	<b>12</b>
<b>9</b>	<b>DBA . . . . .</b>	<b>14</b>
<b>10</b>	<b>Initial start-up . . . . .</b>	<b>18</b>
10.1	Preparing for operation . . . . .	18
10.1.1	Check water pressure . . . . .	18
10.1.2	Topping up the heating system . . . . .	19
10.1.3	Temperature-setting adjustments . . . . .	22
10.2	Operational and fault codes . . . . .	25
<b>11</b>	<b>Taking the system out of service . . . . .</b>	<b>26</b>
11.1	Draining the system in case of frost . . . . .	27

**Dear Customer,**

Your Buderus **500 Series** wall-mounted condensing gas system boiler has been designed and built in accordance with state-of-the-art technological standards and the recognised safety rules. Special focus has been placed on operator convenience in this respect.

Carefully read the safety instructions and operating manual to ensure safe, economic and ecologically beneficial use of the unit.

Due to the high efficiency of the boiler a plume of water vapour may form at the terminal during operation. This is normal.

## 1 Safety precautions

- A **DANGER! If you smell gas:**
- 1) **No naked flames ! Do not smoke !**
  - 2) **Avoid sparks ! Do not operate electrical switches. Do not use the telephone, plug-in devices of any kind or the doorbell!**
  - 3) **Shut off the main gas supply!**
  - 4) **Open windows and doors!**
  - 5) **Warn building occupants and evacuate the building!**
  - 6) **Call the gas distributor (under 'GAS' in the telephone directory) from outside the building!**

I **NOTE**

In the event of any other type of incident, shut off the main gas supply and electric supply to the appliance and seek assistance from a CORGI registered engineer.

## 2 Installation area / boiler room

A **DANGER!**

The air intake and outlet openings must not be reduced in size or closed.

A **DANGER!**

Do not store or use inflammable materials or liquids near the heating boiler.

I **NOTE**

To prevent the boiler from being damaged, care must be taken not to contaminate the combustion air with halogenated hydrocarbons (e. g. contained in aerosol sprays, solvents, detergents, paints, and adhesives), or with high quantities of dust. The room in which the boiler is installed must be frost-proof and be well ventilated.

### 3 Working in the heating system

#### A **DANGER!**

Only a CORGI registered Engineer is to be entrusted with the installation of this boiler, the gas supply and the flue connection. Commissioning, Servicing and any Repairs must be carried out by a competent person i.e.: a CORGI Registered Engineer.

All CORGI Registered Installers carry a CORGI identification card and have a registration number.

Both should be recorded in your boiler logbook.

You can check if your installer/Engineer is registered by telephoning 01256 372300 or by writing to:

CORGI, 1 Elmwood, Chineham Business Park,  
Crockford Lane, Basingstoke. RG24 8WG.

#### I **NOTE**

The heating boiler is designed exclusively for heating water as part of a central heating system and/or hot-water system.

It is recommended to enter into a service contract with a specialist company.



## **4 Functions of the system and operating instructions**

The installer should familiarize the user with the functions and operation of the heating system and ensure that a complete set of technical documentation is supplied.

## **5 Maintenance intervals**

For optimum, long-term reliable functioning of the heating boiler, and in order to be able to claim under the terms of the manufacturer's warranty, the heating boiler must be inspected and maintained at least once a year (under normal operating conditions) by an officially recognized installation and service engineer. The term "normal operating conditions" means that the heating boiler is used to provide central heating and/or hot water to no more than one single-family dwelling.

In all other cases, the heating boiler must be inspected and maintained by an officially recognised installation service engineer every 2,500 burner operating hours.

## **6 Conversion to LPG**

The boiler is suited for natural gas. To convert the boiler to LPG you must contact a CORGI registered fitter.

## **7 Abbreviations**

DBA = Control unit (Dedicated Burner Automat)

CH flow = Central heating flow

CH return = Central heating return

MCW = Mains Cold Water.

## 8 Permanent clearances

The boiler must be located in an area with the following permanent clearances.

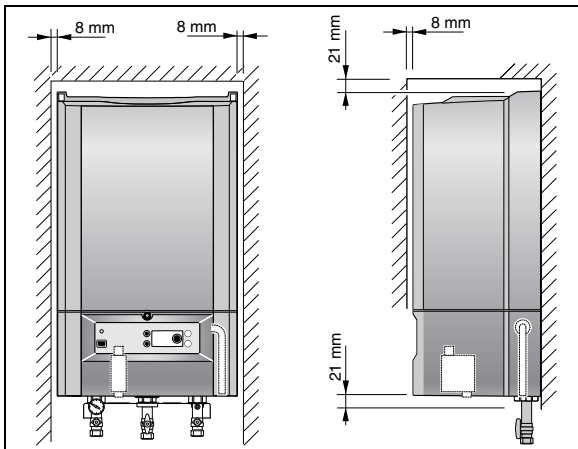


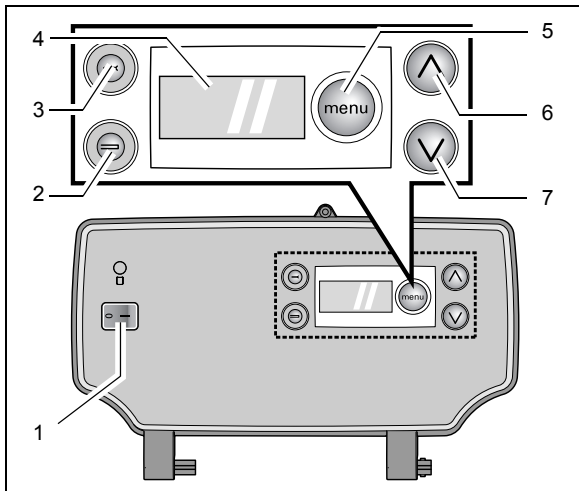
fig. 1

I

**NOTE**

The permanent clearances do not change if a wall spacing frame is used.

The installer or service engineer must be able to create sufficient service clearances. These clearances should have been considered at time of installation.

**9 DBA***fig. 2 DBA*

*Key to fig. 2 :*

*item 1: mains switch*  
*item 2: "reset" button*  
*item 3: "service" button*  
*item 4: display*

*item 5: "menu" button*  
*item 6: adjusting arrow up*  
*item 7: adjusting arrow down*

The boiler is equipped with a DBA. This is the internal control of the boiler. The DBA is located behind the access panel. The DBA allows you to operate the boiler and to make adjustments in its settings.

### **DBA overview:**

#### **1. Mains switch (see fig. 2).**

Use this switch to turn the boiler on or off.

#### **2. Reset button "B" (see fig. 2)**

When a blinking code is in the display, it is possible to try and restart the boiler by pressing this button.

#### **I NOTE**

It is not possible to reset the boiler when there is no fault code blinking in the display.

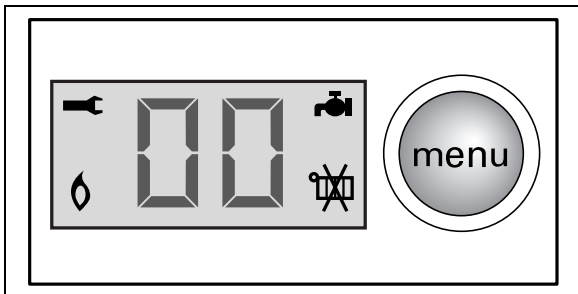
### 3. Service Button "A" (see fig. 2)

Is used for servicing purposes only.

**DO NOT use this button!**

### 4. Display (see fig. 2)

The display visualizes settings, adjustments and fault codes (see fig. 3).



*fig. 3 DBA display*



### **5. Menu button "E" (see fig. 2)**

The menu button "E" allows you to scroll through the menu items.

Pressing the E button once, the current DHW temperature (in combination with an external hot water cylinder) setting is displayed.

Pressing the E button again gives the current setting of summer operation.

Pressing the E button once more gives the current CH flow temperature setting.

### **6. and 7. Up "C" and Down "D" keys (see fig. 2)**

These keys can be used for adjusting temperatures and activating or de-activating certain summer operation.

The C key when pressed gives the current operating status of the boiler.

## 10 Initial start-up

### 10.1 Preparing for operation

Please also note the user manual supplied with the external time controls and thermostat.

#### 10.1.1 Check water pressure

- Check the pressure gauge (fig. 4, item 3) located at the bottom of the boiler for the current system pressure. Optimum system pressure is 1.5 bar.

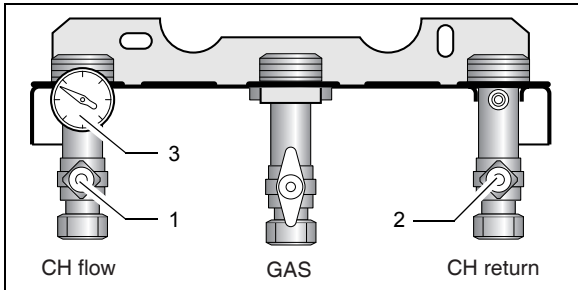


fig. 4 Servicing valves

## 10.1.2 Topping up the heating system

### A **WARNING!**

The wall-mounted condensing gas system boiler must not be activated at this stage.

The system should be filled with untreated mains water.

- Turn off the boiler by setting the mains switch to "0" (fig. 5, item 1).
- If necessary open the CH flow and CH return servicing valves (fig. 4, item 1 and 2).

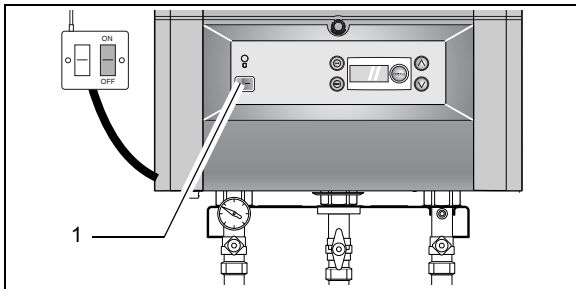


fig. 5 DBA – Mains switch

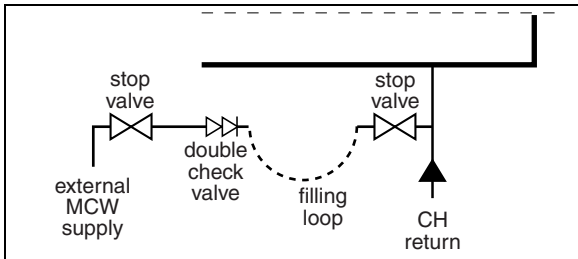


fig. 6 *Filling loop*

- Connect filling loop (accessory) (fig. 6).
- Open both stop valves (fig. 6).
- Fill the system to a pressure of approx. 1.5 bar (fig. 4, item 3).
- Shut both stop valves.
- Disconnect the filling loop.
- Vent all radiators from air starting with the lowest radiator and working your way up to the highest point.

- Check the pressure after venting. If the pressure has dropped under 1.0 bar then top up the system as described previously.
- Disconnect the filling loop and cap off.

I **NOTE**

If there are frequent water losses, have the system examined and repaired by a CORGI registered installer. Have the inhibitor concentration checked every year.

### 10.1.3 Temperature-setting adjustments

#### Setting the domestic hot water (DHW) temperature (in combination with an external hot water cylinder)

- Press E button (see fig. 7, item 2) once then adjust the DHW temperature to the desired temperature (40 °C - 60 °C) using the C and D keys (fig. 7, item 1).  
Factory setting is 48 °C.

#### Setting the boiler to summer operation

When you want to make sure that your boiler will not operate for central heating in the summer then you can set the boiler to summer operation. The boiler will then only operate for DHW (in combination with an external hot water cylinder).

- Press the E button (see fig. 7, item 2) twice.  
The current setting blinks.
- Use the C and D keys to adjust to desired setting.

K	Central heating is on.
L	Central heating is off (summer operation). DHW is still available (in combination with an external hot water cylinder).

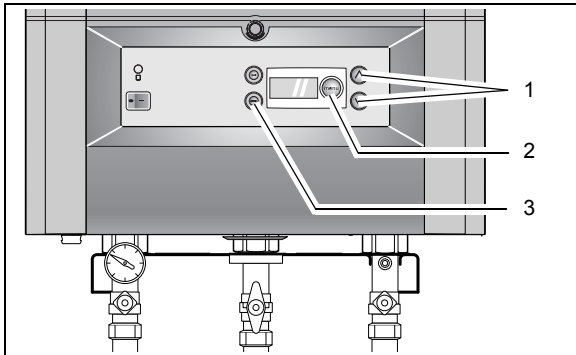


fig. 7 DBA – Mains switch

- I **NOTE**  
When summer operation is active then the boiler will not operate for central heating until summer operation has been deactivated.

### Setting the flow temperature for CH

- Press E button (see fig. 7, item 2) three times then adjust the flow temperature to the desired temperature (30 °C – 80 °C) using the C and D keys (see fig. 7, item 1).  
Factory setting is 80 °C.

It is not possible to set the flow temperature when the boiler is set to summer operation.



## 10.2 Operational and fault codes

Operating conditions and possible faults can be seen, pressing the C key.

All codes not contained in table 1 should be noted down separately. These are malfunctions that require the presence of a CORGI installer.

Display after pressing service button "C"	Meaning	Rectification
0A, 0C, 0E, 0H, 0L, 0U, 0Y	Boiler is ready for operation	
6A	Burner not ignited	Press Reset button "B" (fig. 7, item 3). If the burner fails to ignite after several unblocking operations, consult a CORGI installer.
-H	Normal heating mode	Maximum comfort when set at 60 °C
=H	Normal hot water mode	

*table 1 Operational and fault codes*

## 11 Taking the system out of service

- Push the mains power switch (fig. 5, item 1) to “0”.
- Close the gas service valve by turning it clockwise (fig. 8, item 1).

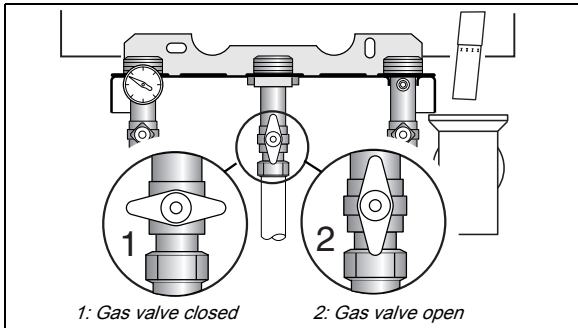


fig. 8 Gas service valve

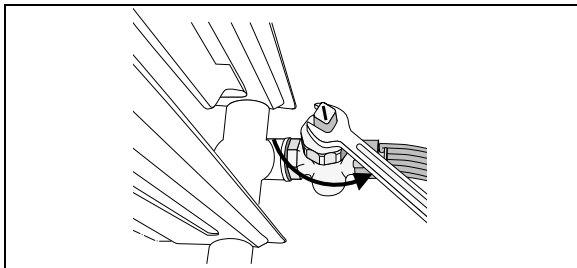
### Frost protection

The boiler has an automatic frost protection. When the CH flow temperature drops below 7 °C then the boiler will start up.

## 11.1 Draining the system in case of frost

It is not recommended, but if the boiler needs to be shut down for a longer period of time, then it is necessary to drain the system. Especially when there is a chance for frost conditions.

- Turn off the boiler by setting the mains power to "0" (fig. 5, item 1).
- Close the gas valve (fig. 8, item 1).



*fig. 9 Draining the system*

- Drain the system at its lowest point using the stop valves or radiator (see fig. 9). The automatic air vent at the system's highest point must be open.

# **Buderus**

## **Buderus**

Cotswold Way, Warndon, Worcester, WR4 9SW

Telephone: 01905 - 752 936

Fax: 01905 - 753 130

Customer Services

Tel: 0870 - 421 5933

Technical Product Support

Tel: 0870 - 421 5944

Sales Tel: 01905 752 640

Fax: 01905 456 445 / 455 394

Returns Tel: 01905 752 531

Fax: 01905 455 392

Spares Tel: 01905 752 576

Fax: 01905 754 620

<http://www.buderus-domestic.co.uk>

**Buderus is a trading name of  
BBT Thermotechnology UK Ltd.**

721.534A - 4612 - 02/2006