

Technical Information

SPECIFICATION

Capillary Lengths: 1.5m, 3.0m, 6.0m, 9.0m, 15.0m

Materials: Valve body, sensor housing, spindle, handwheel and nuts, Standard Brass.

Fuel Type: Suitable for use with class C2 and D fuels to BS2869.

Sensor: Copper tube with Stainless Steel piston.

O Rings: Silicone rubber.

Spring: Stainless Steel.

Oil Supply: 3/8" FxF Internal taper thread both ends.

Nominal Flow Rate: 395 litres per hour @ 2m head.

ACTIVATION TEMPERATURES

Oil @ Atmospheric Pressure

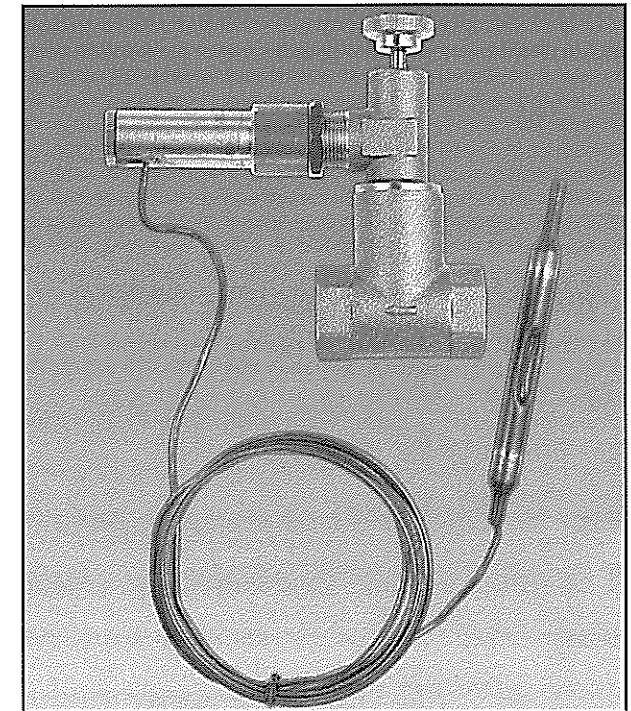
	RAF 66	RAF 90
Shut Down:	66°C	90°C
Re-Open:	50°C	75°C

N.B. Installation must ensure that the sensor is fitted correctly and not in an area where 'local ambient' will shut down the valve. This valve must **NOT** be used as a shut-off valve.

FIRE VALVES

Part No	Description
RAF6615C	66° 1.5m fire valve
RAF6630C	66° 3.0m fire valve
RAF6660C	66° 6.0m fire valve
RAF6690C	66° 9.0m fire valve
RAF66150C	66° 15.0m fire valve
RAF9015C	90° 1.5m fire valve
RAF9030C	90° 3.0m fire valve
RAF9060C	90° 6.0m fire valve
RAF9090C	90° 9.0m fire valve

Remote Acting Fire Valve



As required by BS5410
Compliant with OFCERT OFSE101



Boulter Buderus

Boulter Buderus Limited, Magnet House, White House Road, Ipswich IP1 5JA
Telephone: 01473 241555 Fax: 01473 241321
PL00201
Issue 4 Date: 20.03.03

Boulter Buderus

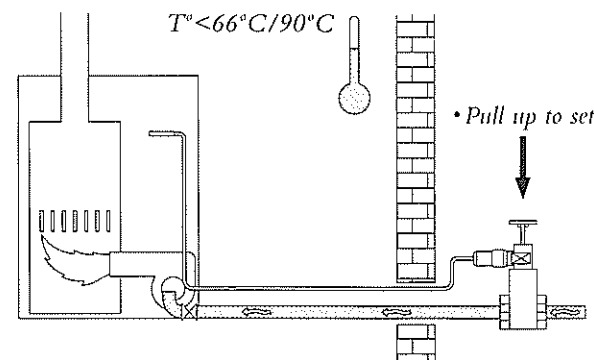
Remote Acting Fire Valve

(BS5410) states that oil supply lines should be protected by a Remote Acting Fire Valve.

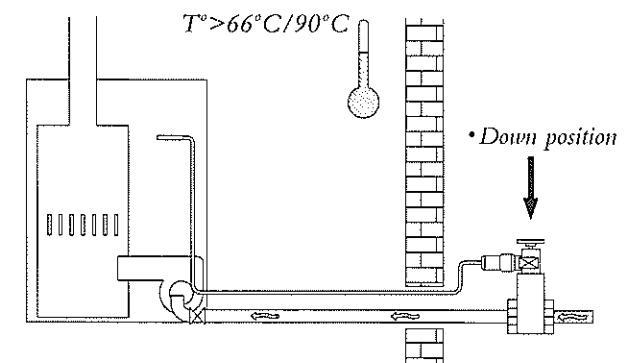
The OFTEC approved Remote Acting Fire Valve from Boulter Buderus is designed to safeguard against the risk of fuel being fed into the fire.

The Boulter Buderus Remote Acting Fire Valve is available in two alternative temperature settings of 66°C & 90°C and five convenient capillary lengths of 1.5m, 3.0m, 6.0m, 9.0m & 15.0m*. A custom designed clip fitted in every Boulter Buderus boiler ensures that the valve is positioned effectively.

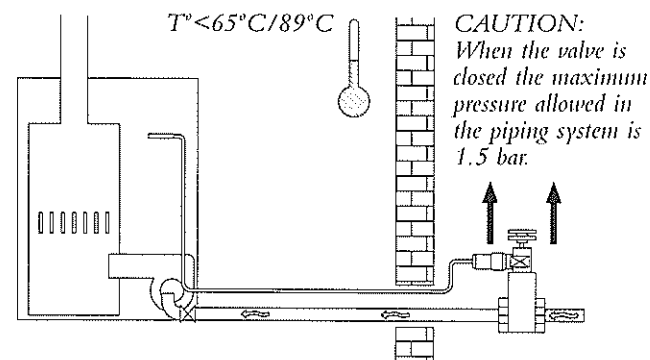
*15.0m is available for 66°C only



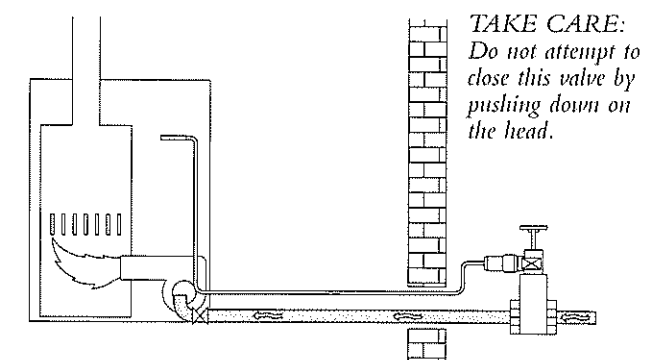
1. When fitted to the oil supply line, the Remote Acting Fire Valve from Boulter can help to prevent total destruction by fire.



2. The effect of excessive heat on the sensor causes the valve to close tightly, thus preventing the main storage tank from fuelling the fire.



3. The valve will not re-open unless the manual reset is activated, this must be attempted only once the fire risk has been eliminated.



4. Boiler can now resume operation.